

DORMED PLUS 2 Gynecology chair



- ✓ Modern and ergonomic design
- ✓ Functionality and elegance
- ✓ High quality materials
- ✓ Call up all electrical movements via hand control or foot control
- ✓ Electrical leg holder adjustment
- ✓ Low starting position
- ✓ Memories options available
- ✓ Variety of options
- ✓ Wide range of colouring
- ✓ Easy to clean and disinfect
- ✓ Safety load 200 kg

More functionality,
flexibility
and comfort!



STANDARD ACCESSORIES

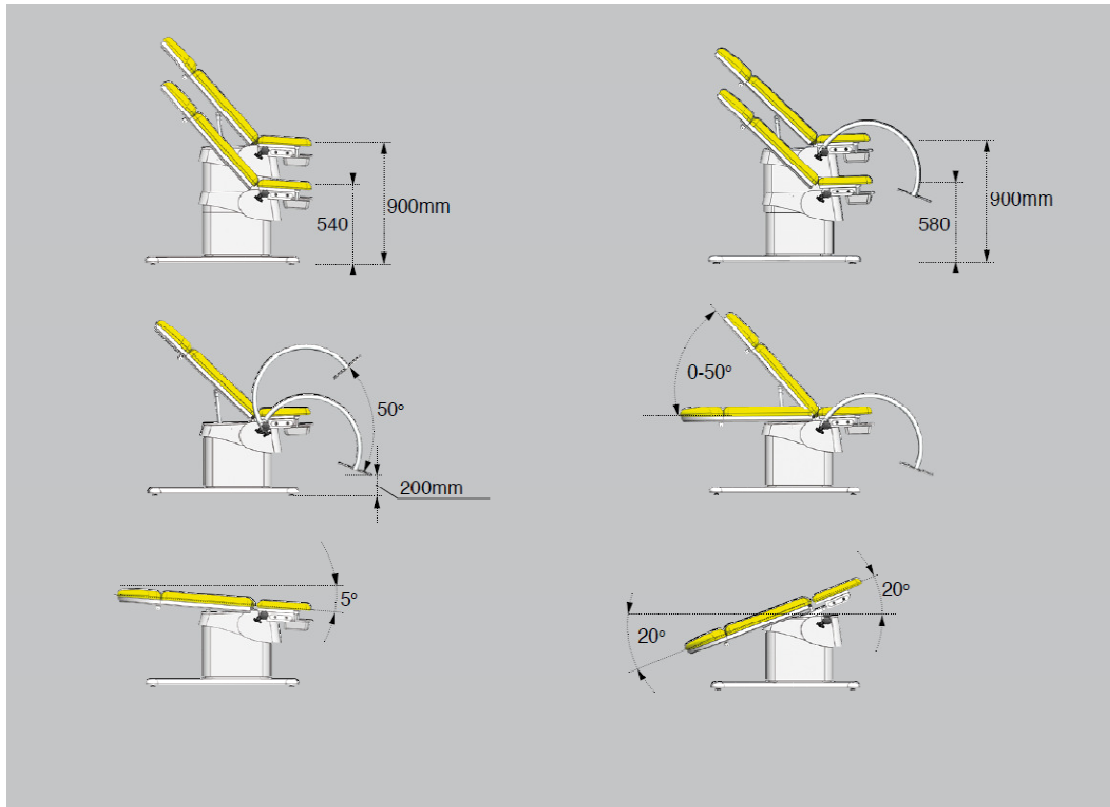
- ✓ Pair of swiveling and electrically height adjustable leg rest with plastic ABS foot support and the corresponding clamp
 - ✓ Head cushion removable
 - ✓ Stainless steel rail 30x10mm at seat section
 - ✓ Inox basin
 - ✓ Basin holder with safety device
 - ✓ Paper roll holder
 - ✓ Plastic ABS cover for back section, seat and base
- ✓ Metal heavy construction painted with electrostatic chip resistant anticorrosion paint covered with plastic ABS cover
 - ✓ Divided in three sections (leg section is removable), made with intergrated upholstery mattress washable and disinfected in a choice of colours



Electrically adjustable leg holders and a low starting position 20cm from ground offers maximum comfort without the need of a foot step

OPTIONAL ACCESSORIES

- ✓ Inox basin deep with pipette
- ✓ Leg section removable
- ✓ Leg section removable and foldable
- ✓ Detachable upholstery for cleaning
- ✓ Stainless steel 18/10 side rails at the back rest 30x10mm (25x10mm upon request)
- ✓ Stainless steel 18/10 side rails at the seat section 30x10mm(25x10mm upon request)
- ✓ Arm rest for blood donation with corresponding clamp
- ✓ I.V. pole adapter
- ✓ I.V. pole
- ✓ Inox tray with moving arm for equipment
- ✓ Colposcope holder
- ✓ Foot – switch instead of hand devise for all electric adjustments
- ✓ Integrated rechargeable battery back up system for all electrical movements
- ✓ Handset with magnetic locking key and memory for selected positions
- ✓ Wheels with individual brakes
- ✓ Adaptor for portable lighting
- ✓ Intergrated socket
- ✓ Drain gutter for fluids



TECHNICAL DATA

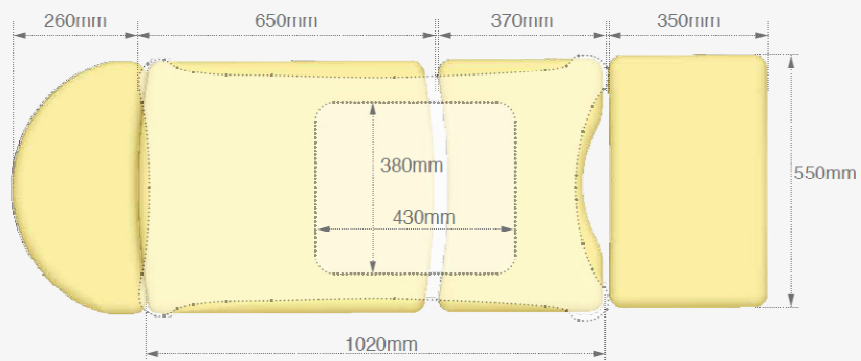
Electric movement of High/Low when seat section horizontal	58cm-90cm
Electric movement of High/Low when seat section in trend position	54cm-90cm
Electric movement of back section	0 till +50°
Electric movement trend-antitrend	+5 till -20°
Electric movement of leg rests	
Motor voltage	24V DC
Connection main (different upon request)	230 V AC 50-60 Hz
Safety load	200kgr
Bedding platform dimensions	
Head section	260mm x 550mm
Back section	650mm x 550mm
Seat section	370mm x 550mm
Leg section	350mm x 550mm
Base dimensions	1020mm x 560mm

Upholstery

High quality hard wearing foam
rubber with leatherette cover
available in a variety of colours
(see colour chart)



DIMENSIONS



Thesaloniki: 10th Solonos str, 546 42, Tel: + 30 2310 851400 / FAX :+30 2310 854155
Athens: 64th Messinias str, 115 27 Tel / FAX:+30 210 7473777
www.dormed.gr